

CEA-CA Series

Stainless steel threaded centrifugal pumps. Wide range of pumps for domestic and industrial applications.

Single-impeller (CEA) and dual-impeller (CA) models available. "V" versions with elastomers in FPM for temperatures up to 110°C and "N" versions made entirely from AISI 316 stainless steel available on request.

Specifications

Delivery: up to 31 m³/h
 Head: up to 62 m
 Power supply: three-phase and single-phase 50 and 60 Hz
 Power: 0.37 kW to 3 kW
 Maximum operating pressure: 8 bar
 Temperature of pumped liquid:
 -10°C to +85°C (CEA-CA)
 -10°C to +110°C (CEA-V CA-V with elastomers in FPM)
 Insulation class: 155 (F)
 Protection: IP55

Materials

Pump body: Stainless steel
 Impeller: Stainless steel
 Diffuser: Stainless steel
 Seal housing: Stainless steel
 Adapter: Aluminium
 Mechanical seal:
 Ceramic/Carbon/NBR
 Fill and drain plugs:
 Stainless steel
 Elastomers: NBR

Applications

Water distribution

Rain water collection

Industrial washing equipment

Pressure boosting

General industry

Irrigation

Water treatment

Cooling and chilling

Swimming pools ("N" versions)

Heat recovery

Heating, ventilation and air-conditioning



CEA-CEA(N) SERIES

Hydraulic performance table ~2850 rpm 50 Hz

PUMP TYPE	RATED POWER		Q = DELIVERY																		
			l/min	30	40	60	80	100	120	140	160	180	200	250	300	350	400	430	480	520	
	kW	HP	m ³ /h	0	1,8	2,4	3,6	4,8	6	7,2	8,4	9,6	10,8	12	15	18	21	24	26	29	31
H = TOTAL HEAD METRES COLUMN OF WATER																					
CEA(M) 70/3	0,37	0,5	22	20,1	19,1	16,6	12,8														
CEA(M) 70/5	0,55	0,75	31,1	28,8	27,7	24,7	20,2														
CEA(M) 80/5	0,75	1	32	30	29,3	27,4	24,7	21													
CEA(M) 120/3	0,55	0,75	22,4			18,9	17,5	15,9	14	11,8	9,2										
CEA(M) 120/5	0,9	1,2	31,8			28,2	26,5	24,6	22,4	20	17,3										
CEA(M) 210/2	0,75	1	17,7						16,5	16,1	15,6	15	14,4	12,6	10,4						
CEA(M) 210/3	1,1	1,5	20,8						19,7	19,3	19	18,5	18	16,5	14,4						
CEA(M) 210/4	1,5	2	25,5						24,8	24,5	24	23,6	23	21,3	19						
CEA(M) 210/5	1,85	2,5	29						28,2	27,9	27,5	27,1	26,6	25,1	23,1						
CEA(M) 370/1	1,1	1,5	16,3									15,5	15,2	14,3	13	11,4	9,4	8,1			
CEA(M) 370/2	1,5	2	20,4										19,1	18,3	17,2	15,8	14,1	13	10,8		
CEA(M) 370/3	1,85	2,5	24,4										22,9	22,1	21,1	19,8	18,2	17,1	15	13	
CEA370/5	3	4	30,3										28,3	27,5	26,5	25,3	23,8	22,8	21	19,0	

cea-2p50-en_d_th

Electrical data

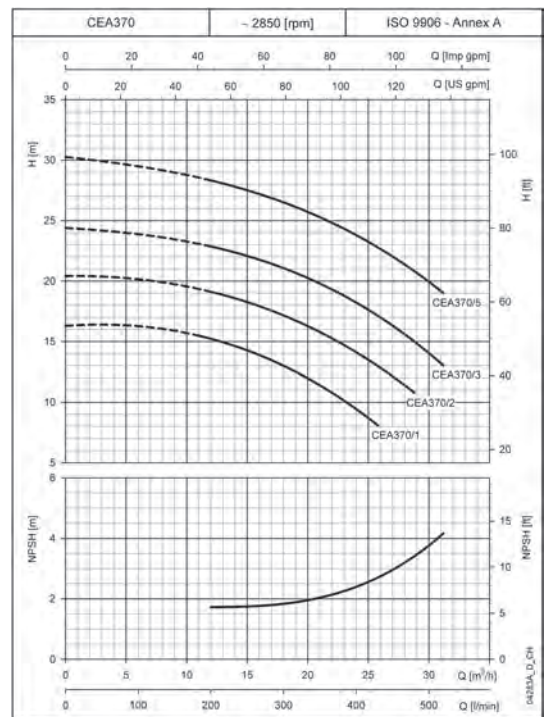
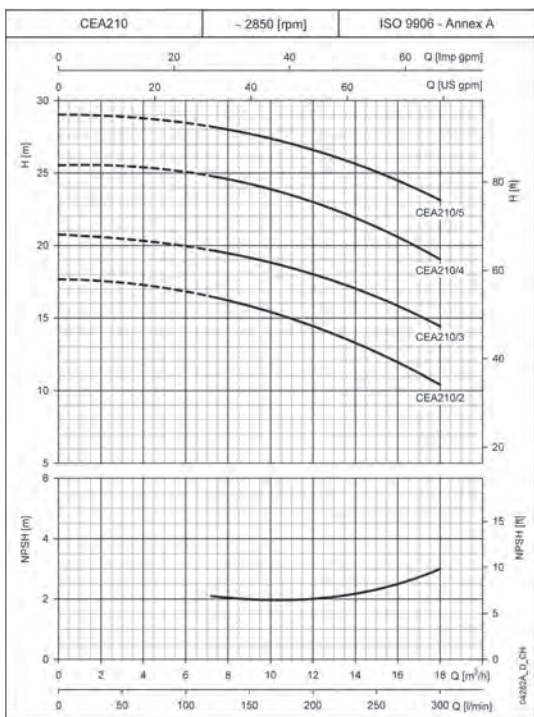
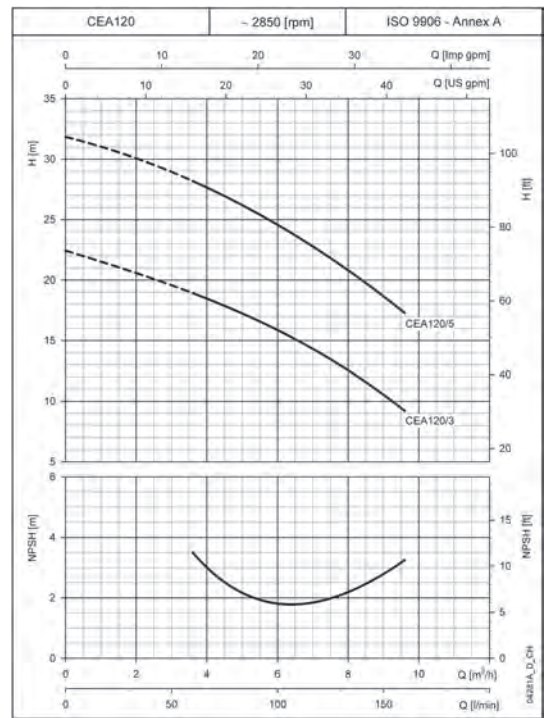
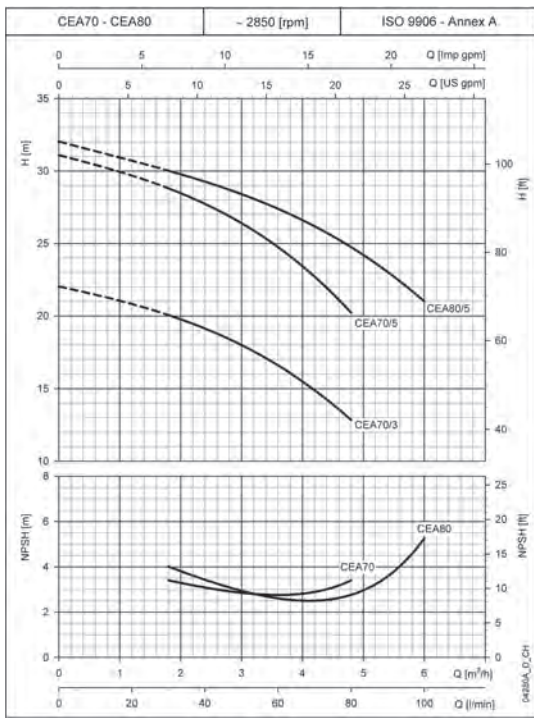
PUMP TYPE	MOTOR TYPE	INP POWER*	INPUT CURRENT* 220-240 V	CAPACIT. μF / 450 V	PUMP TYPE	MOTOR TYPE	INPUT POWER*	INPUT CURRENT* 220-240 V	INPUT CURRENT* 380-415 V
		kW	A				kW	A	A
CEAM70/3	SM63BG/1045	0,60	2,72	14	CEA70/3	SM63BG/304	0,61	2,51	1,45
CEAM70/5	SM71BG/1055	0,97	4,55	16	CEA70/5	SM71BG/305	0,88	2,86	1,65
CEAM80/5	SM71BG/1075	1,07	4,87	20	CEA80/5	SM80BG/307HE	1,02	3,23	1,87
CEAM120/3	SM71BG/1055	0,91	4,33	16	CEA120/3	SM71BG/305	0,82	2,74	1,58
CEAM120/5	SM71BG/1095	1,39	6,24	25	CEA120/5	SM80BG/311HE	1,32	4,07	2,35
CEAM210/2	SM71BG/1075	1,13	5,10	20	CEA210/2	SM80BG/307HE	1,10	3,39	1,96
CEAM210/3	SM80BG/1115	1,48	6,68	30	CEA210/3	SM80BG/311HE	1,39	4,24	2,45
CEAM210/4	SM80BG/1155	1,91	8,60	40	CEA210/4	PLM90BG/315	1,77	5,33	3,08
CEAM210/5	PLM90BG/1225	2,24	10,2	70	CEA210/5	PLM90BG/322	2,20	7,35	4,24
CEAM370/1	SM80BG/1115	1,49	6,75	30	CEA370/1	SM80BG/311HE	1,44	4,34	2,51
CEAM370/2	SM80BG/1155	2,05	9,26	40	CEA370/2	PLM90BG/315	1,99	5,90	3,41
CEAM370/3	PLM90BG/1225	2,45	11,1	70	CEA370/3	PLM90BG/322	2,45	7,84	4,53
					CEA370/5	PLM90BG/330	3,26	10,1	5,86

*Maximum value in specified range.

cea-2p50-en_e_te

CEA SERIES

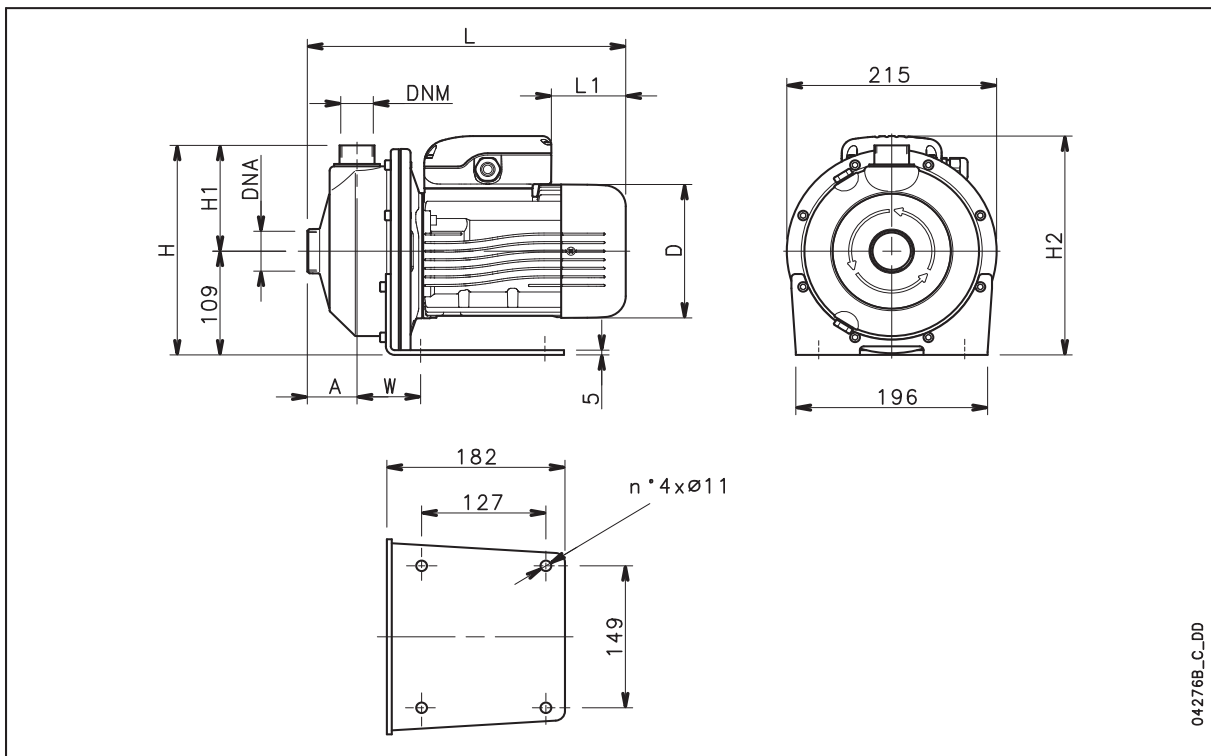
Operating characteristics at 50 Hz



These performances are valid for liquids with density $\rho = 1.0 \text{ kg/dm}^3$ and kinematic viscosity $\nu = 1 \text{ mm}^2/\text{s}$.

CEA-CEA(N) SERIES

Dimensions and weights



04276B_C_DD

PUMP TYPE	DIMENSIONS (mm)									DNA	DNM	WEIGHT kg
	A	D	H	H1	H2	L	L1	W				
CEAM 70/3	51	120	220	111	220	311	62	65	Rp 1¼	Rp 1	9,7	
CEAM 70/5	51	140	220	111	230	325	76	65	Rp 1¼	Rp 1	11,6	
CEAM 80/5	51	140	220	111	230	325	76	65	Rp 1¼	Rp 1	12,5	
CEAM 120/3	51	140	220	111	230	325	76	65	Rp 1¼	Rp 1	11,5	
CEAM 120/5	51	140	220	111	239	325	31	65	Rp 1¼	Rp 1	13	
CEAM 210/2	54	140	222	113	230	339	76	76	Rp 1½	Rp 1¼	13	
CEAM 210/3	54	156	222	113	246	385	69	76	Rp 1½	Rp 1¼	14,5	
CEAM 210/4	54	156	222	113	246	385	69	76	Rp 1½	Rp 1¼	16,1	
CEAM 210/5	54	174	222	113	243	429	84	76	Rp 1½	Rp 1¼	17	
CEAM 370/1	54	156	222	113	246	385	69	76	Rp 2	Rp 1¼	14	
CEAM 370/2	54	156	222	113	246	385	69	76	Rp 2	Rp 1¼	16,1	
CEAM 370/3	54	174	222	113	243	429	84	76	Rp 2	Rp 1¼	20	
CEA 70/3	51	120	220	111	220	311	62	65	Rp 1¼	Rp 1	9,7	
CEA 70/5	51	140	220	111	230	325	76	65	Rp 1¼	Rp 1	11,6	
CEA 80/5	51	155	220	111	238	371	114	65	Rp 1¼	Rp 1	15,8	
CEA 120/3	51	140	220	111	230	325	76	65	Rp 1¼	Rp 1	11,5	
CEA 120/5	51	155	220	111	238	371	114	65	Rp 1¼	Rp 1	16	
CEA 210/2	54	155	222	113	238	385	114	76	Rp 1½	Rp 1¼	16	
CEA 210/3	54	155	222	113	238	385	114	76	Rp 1½	Rp 1¼	17,8	
CEA 210/4	54	174	222	113	243	429	172	76	Rp 1½	Rp 1¼	21	
CEA 210/5	54	174	222	113	243	429	172	76	Rp 1½	Rp 1¼	21	
CEA 370/1	54	155	222	113	238	385	114	76	Rp 2	Rp 1¼	17	
CEA 370/2	54	174	222	113	243	429	172	76	Rp 2	Rp 1¼	21	
CEA 370/3	54	174	222	113	243	429	172	76	Rp 2	Rp 1¼	21	
CEA 370/5	54	174	222	113	243	429	172	76	Rp 2	Rp 1¼	21	